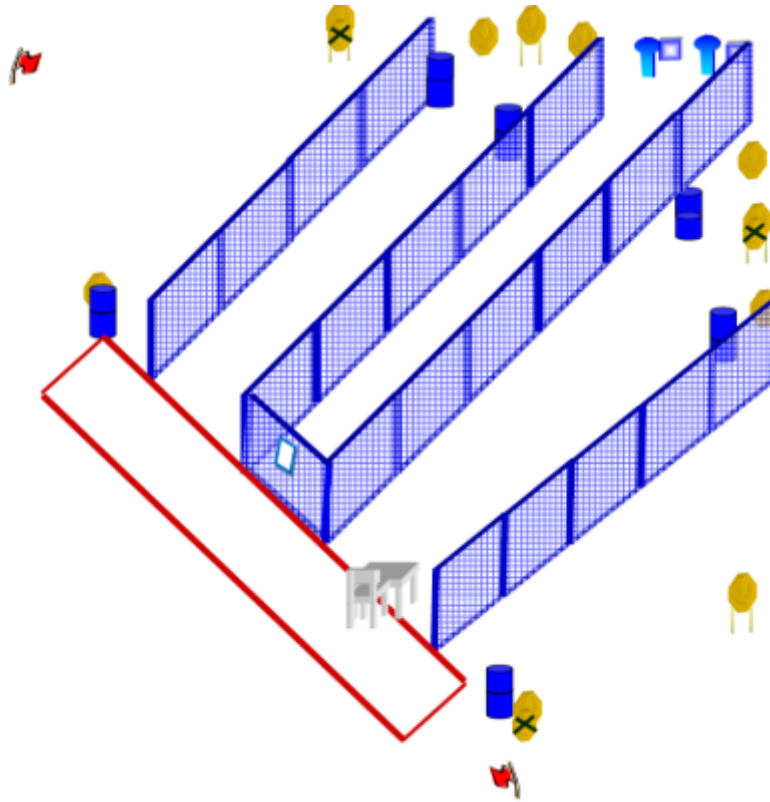


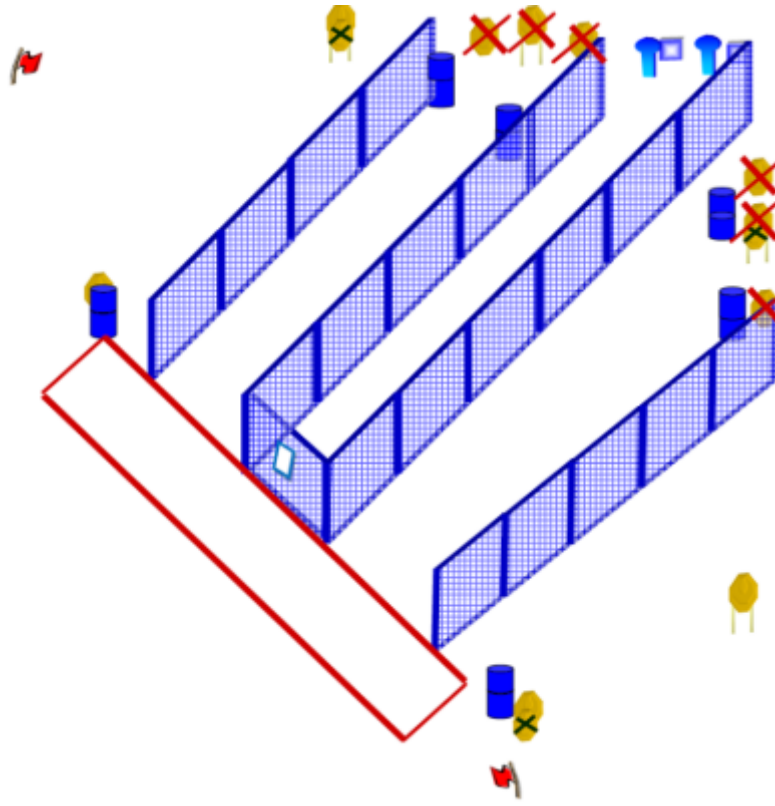
1. Stage 1



| | | | |
|---------|---|------------|--------|
| CoF | Comstock - Medium | Points | 120 p |
| Targets | 10 paper, 2 popper, 2 plates, 10 no-shoot, Total 14 targets | Min rounds | 24 |
| Firearm | Handgun | Match-% | 18.75% |

| | |
|-------------------------|---|
| Procedure | |
| Starting position | |
| Firearm ready condition | Gun is unloaded with empty chamber and magwell, laying flat on table. |
| Start on | 00 |
| Stop on | Last shot |
| Penalties | As per current edition of rules |
| Safety angles | Safetyflags on the left and right |
| Setup notes | |

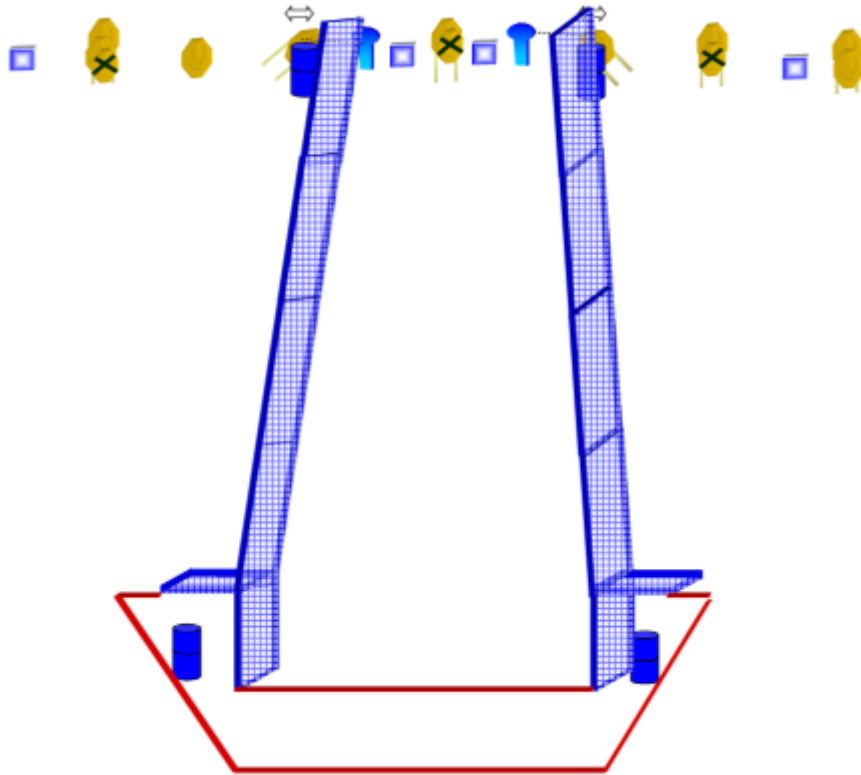
2. Stage 2



| | | | |
|---------|--|------------|-------|
| CoF | Comstock - Short | Points | 60 p |
| Targets | 4 paper, 2 popper, 2 plates, 4 no-shoot, Total 8 targets | Min rounds | 12 |
| Firearm | Handgun | Match-% | 9.38% |

| | |
|-------------------------|-----------------------------------|
| Procedure | |
| Starting position | |
| Firearm ready condition | Loaded and holstered |
| Start on | 00 |
| Stop on | Last shot |
| Penalties | As per current edition of rules |
| Safety angles | Safetyflags on the left and right |
| Setup notes | |

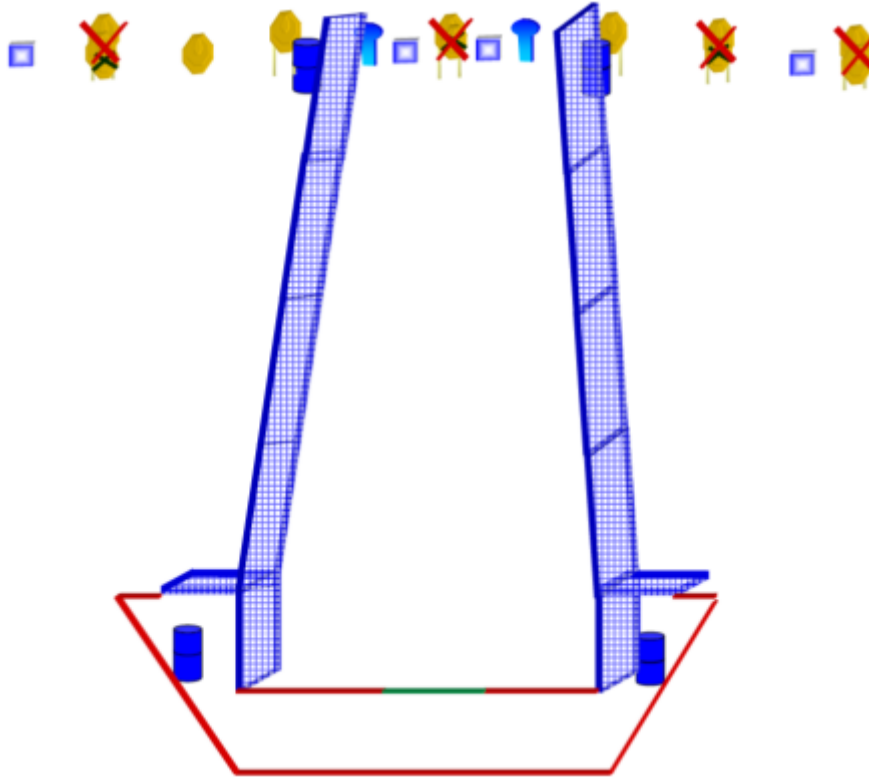
3. Stage 3



| | | | |
|---------|---|------------|--------|
| CoF | Comstock - Medium | Points | 120 p |
| Targets | 9 paper, 2 popper, 4 plates, 9 no-shoot, Total 15 targets | Min rounds | 24 |
| Firearm | Handgun | Match-% | 18.75% |

| | |
|-------------------------|---------------------------------|
| Procedure | |
| Starting position | |
| Firearm ready condition | Loaded & holstered |
| Start on | 00 |
| Stop on | Last shot |
| Penalties | As per current edition of rules |
| Safety angles | L/R |
| Setup notes | |

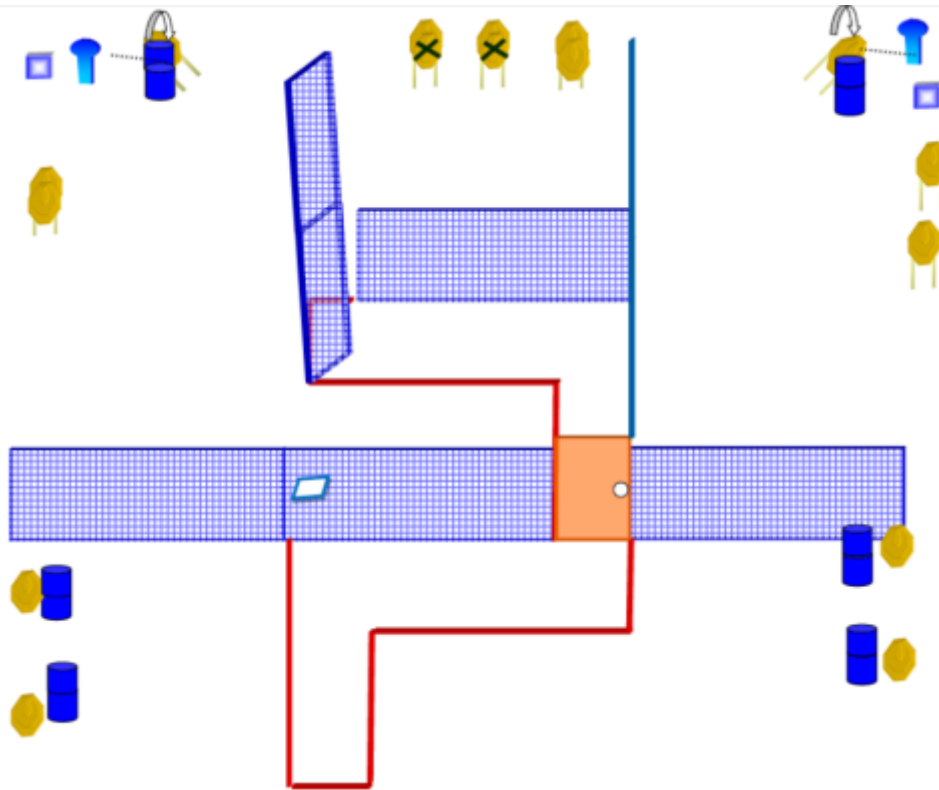
4. Stage 4



| | | | |
|---------|--|------------|-------|
| CoF | Comstock - Short | Points | 60 p |
| Targets | 3 paper, 2 popper, 4 plates, 3 no-shoot, Total 9 targets | Min rounds | 12 |
| Firearm | Handgun | Match-% | 9.38% |

| | |
|-------------------------|---------------------------------|
| Procedure | |
| Starting position | |
| Firearm ready condition | Loaded & holstered |
| Start on | 00 |
| Stop on | Last shot |
| Penalties | As per current edition of rules |
| Safety angles | L/R |
| Setup notes | |

5. Stage 5



| | | | |
|---------|---|------------|--------|
| CoF | Comstock - Long | Points | 160 p |
| Targets | 14 paper, 2 popper, 2 plates, 14 no-shoot, Total 18 targets | Min rounds | 32 |
| Firearm | Handgun | Match-% | 25.00% |

| | |
|-------------------------|---------------------------------|
| Procedure | |
| Starting position | |
| Firearm ready condition | Loaded and holstered |
| Start on | 00 |
| Stop on | Last shot |
| Penalties | As per current edition of rules |
| Safety angles | L/R |
| Setup notes | |

