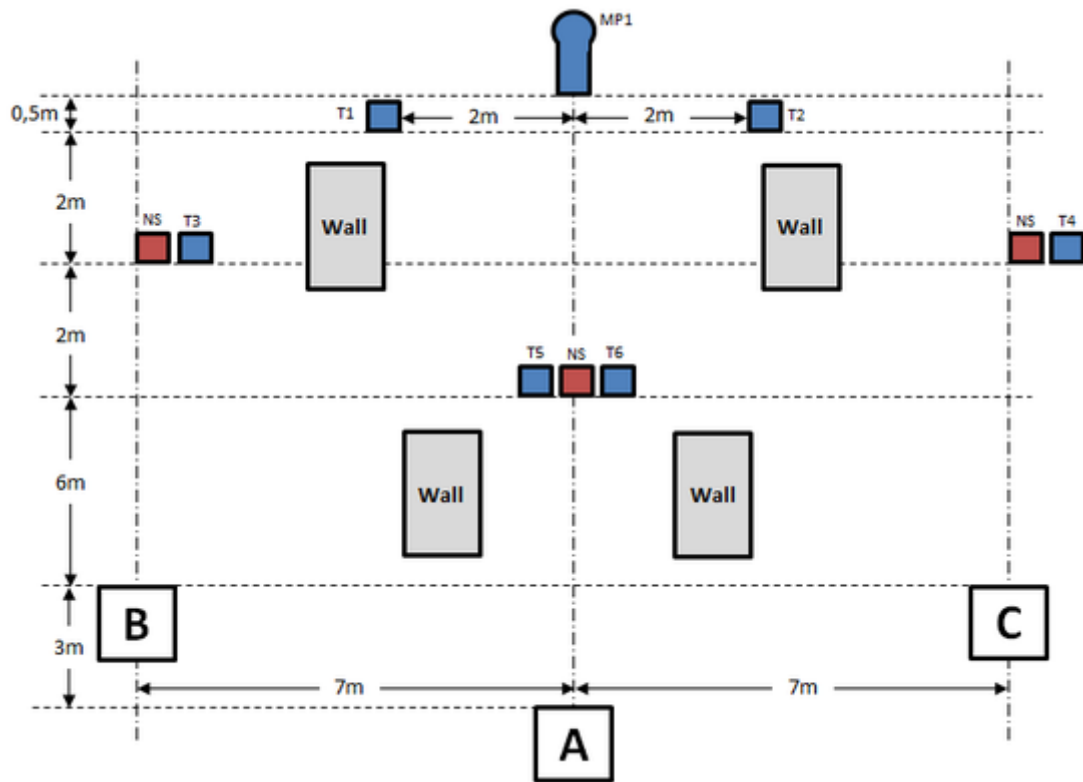


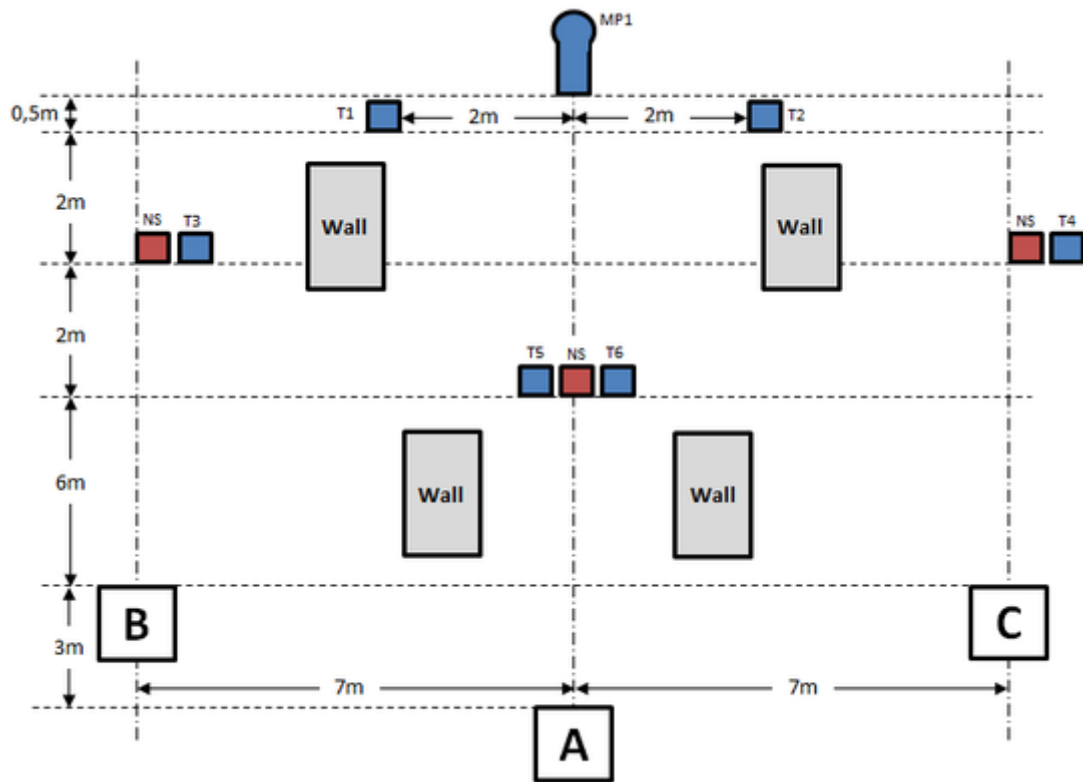
2. Shotgun Juni #2



CoF	Comstock - Short	Points	35 p
Targets	1 popper, 6 plates, 3 no-shoot, Total 7 targets	Min rounds	7
Firearm	Shotgun	Match-%	33.33%

Procedure	After the audible start signal engage targets. T5&T6; can only be shot from area "A", T2&T3; can only be shot from area "B" and T1&T4; can only be shot from area "C".
Starting position	Standing upright facing downrange in area "B".
Firearm ready condition	Loaded (Option 1).
Start on	Audible signal
Stop on	Last shot
Penalties	As per current edition of rules
Safety angles	L/R
Setup notes	

3. Shotgun Juni #3



CoF	Comstock - Short	Points	35 p
Targets	1 popper, 6 plates, 3 no-shoot, Total 7 targets	Min rounds	7
Firearm	Shotgun	Match-%	33.33%

Procedure	After the audible start signal engage targets. T5&T6; can only be shot from area "A", T2&T3; can only be shot from area "B" and T1&T4; can only be shot from area "C".
Starting position	Standing upright facing downrange in area "C".
Firearm ready condition	Loaded (Option 1).
Start on	Audible signal
Stop on	Last shot
Penalties	As per current edition of rules
Safety angles	L/R
Setup notes	