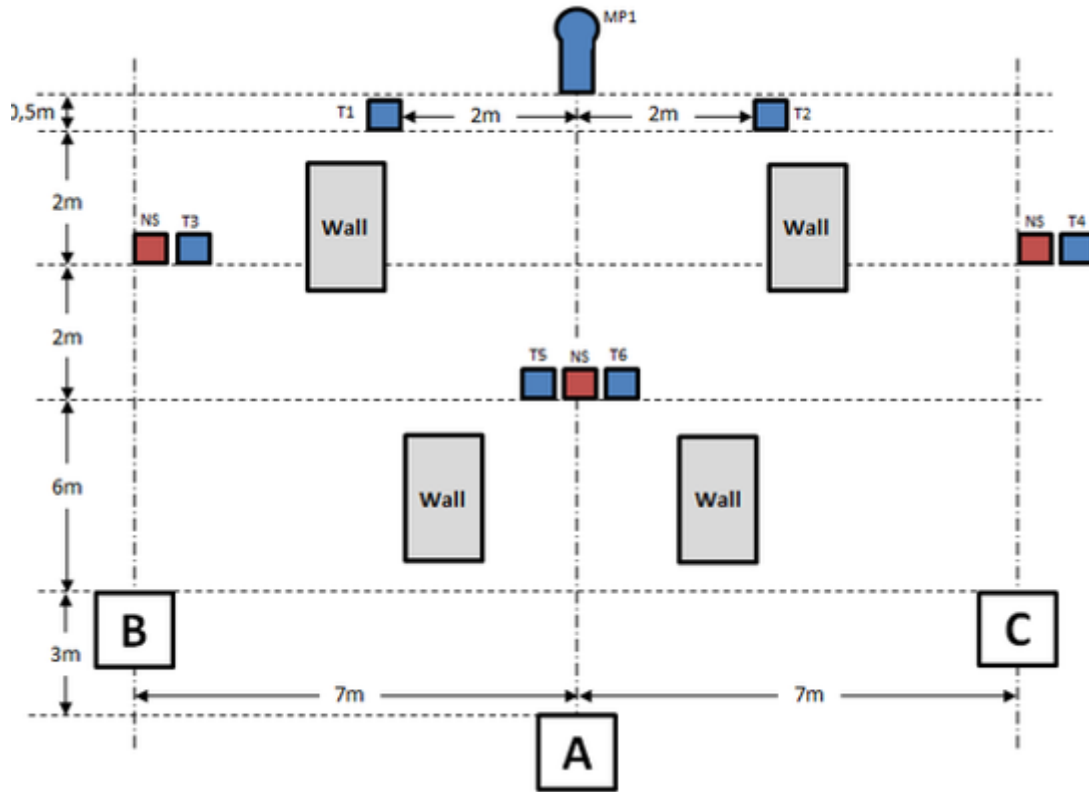


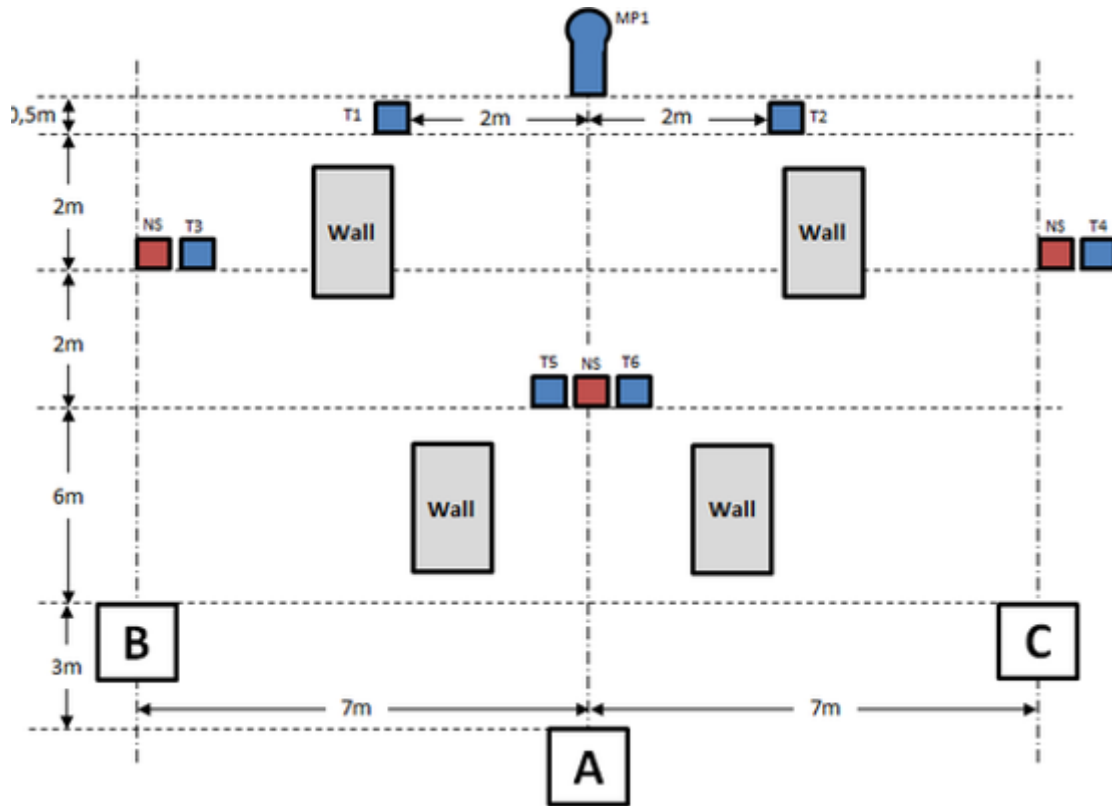
1. Juni 1



CoF	Comstock - Short	Points	35 p
Targets	1 popper, 6 plates, 3 no-shoot, Total 7 targets	Min rounds	7
Firearm	Shotgun	Match-%	33.33%

Procedure	After the audible start signal engage targets. T5&T6; can only be shot from area "A", T2&T3; can only be shot from area "B" and T1&T4; can only be shot from area "C".
Starting position	Standing upright facing downrange in area "A"
Firearm ready condition	Option 1
Start on	Audible signal
Stop on	Last shot
Penalties	As per current edition of rules
Safety angles	L/R
Setup notes	

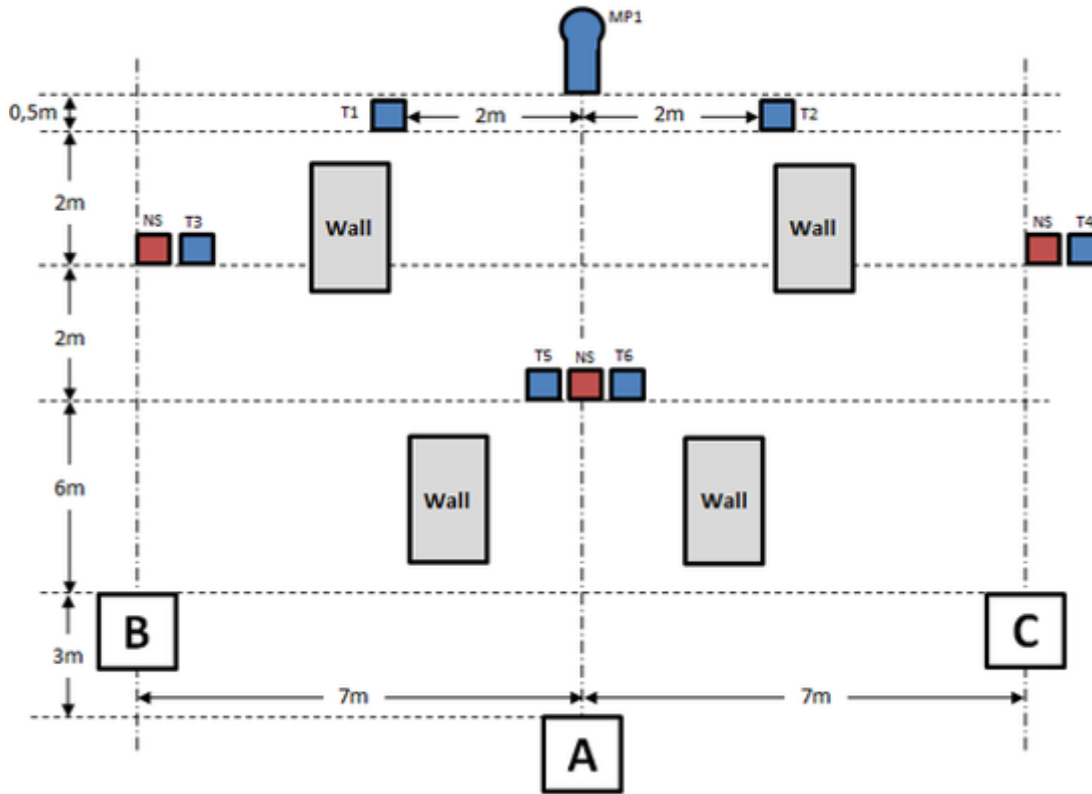
2. Juni 2



CoF	Comstock - Short	Points	35 p
Targets	1 popper, 6 plates, 3 no-shoot, Total 7 targets	Min rounds	7
Firearm	Shotgun	Match-%	33.33%

Procedure	After the audible start signal engage targets. T5&T6; can only be shot from area "A", T2&T3; can only be shot from area "B" and T1&T4; can only be shot from area "C".
Starting position	Standing upright facing downrange in area "B".
Firearm ready condition	Option 1
Start on	Audible signal
Stop on	Last shot
Penalties	As per current edition of rules
Safety angles	L/R
Setup notes	

3. Juni 3



CoF	Comstock - Short	Points	35 p
Targets	1 popper, 6 plates, 3 no-shoot, Total 7 targets	Min rounds	7
Firearm	Shotgun	Match-%	33.33%

Procedure	After the audible start signal engage targets. T5&T6; can only be shot from area "A", T2&T3; can only be shot from area "B" and T1&T4; can only be shot from area "C".
Starting position	Standing upright facing downrange in area C
Firearm ready condition	Option 1
Start on	Audible signal
Stop on	Last shot
Penalties	As per current edition of rules
Safety angles	L/R
Setup notes	