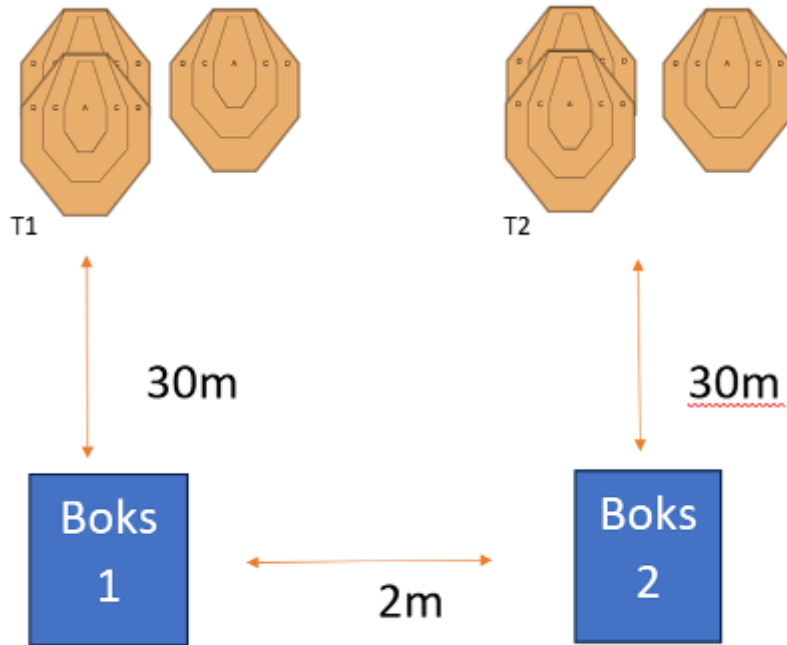


1. Luke 1



CoF	Comstock - Medium	Points	60 p
Targets	6 paper, Total 6 targets	Min rounds	12
Firearm	Mini Rifle	Match-%	4.11%

Procedure	Start i boks 1, skyt skive gruppe T1 fra boks 1 og skive gruppe T2 fra boks 2
Starting position	anywhere inside box 1
Firearm ready condition	Option 3
Start on	Audible signal
Stop on	Last shot
Penalties	As per current edition of rules
Safety angles	L/R
Setup notes	Bokser er 1x1m Vanlige ipsc skiver

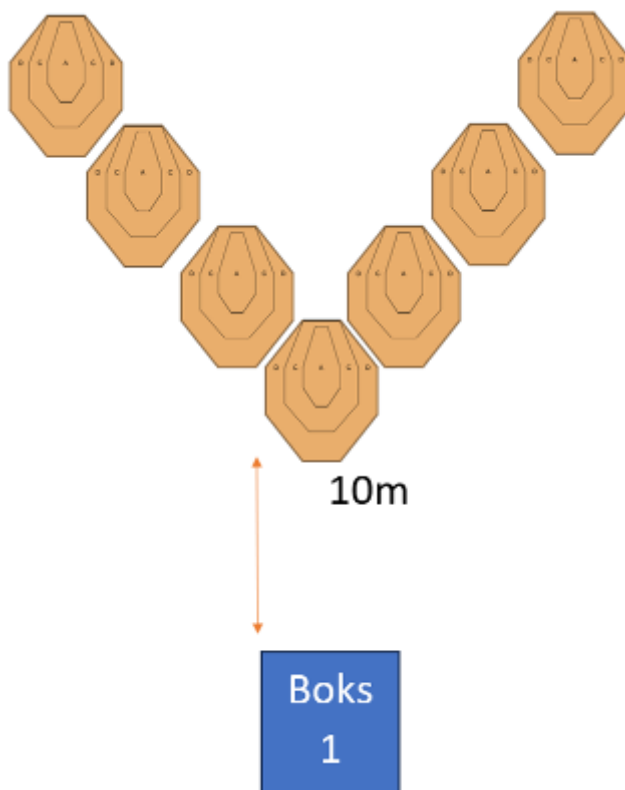
2. Luke 2

No image

CoF	Comstock - Medium	Points	60 p
Targets	6 paper, Total 6 targets	Min rounds	12
Firearm	Mini Rifle	Match-%	4.11%

Procedure	Start i boks 1 og skyt skivegruppe T1 forflytt til boks 2 og gjør en mandatory reload før du skyter skivegruppe T2 fra boks 2
Starting position	anywhere inside box 1
Firearm ready condition	Option 1
Start on	Audible signal
Stop on	Last shot
Penalties	As per current edition of rules
Safety angles	L/R
Setup notes	

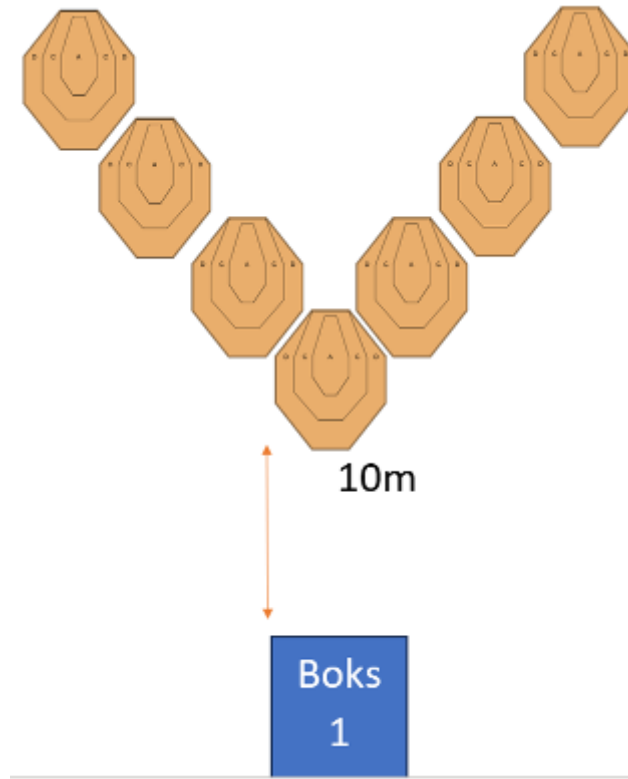
3. Luke 3



CoF	Comstock - Medium	Points	70 p
Targets	7 paper, Total 7 targets	Min rounds	14
Firearm	Mini Rifle	Match-%	4.79%

Procedure	Skyt et skudd i hver skive, må starte med den foran i midten og jobbe seg bakover på anen hver side, når man kommer til den siste skiva skytter man 2 skudd og jobber seg frem igjen på samme måte til skive 1.
Starting position	anywhere
Firearm ready condition	Option 1
Start on	Audible signal
Stop on	Last shot
Penalties	As per current edition of rules
Safety angles	L/R
Setup notes	skivene plasseres bakover fra den første men 1 men 1 og en meter lengre bak for hver rekke.

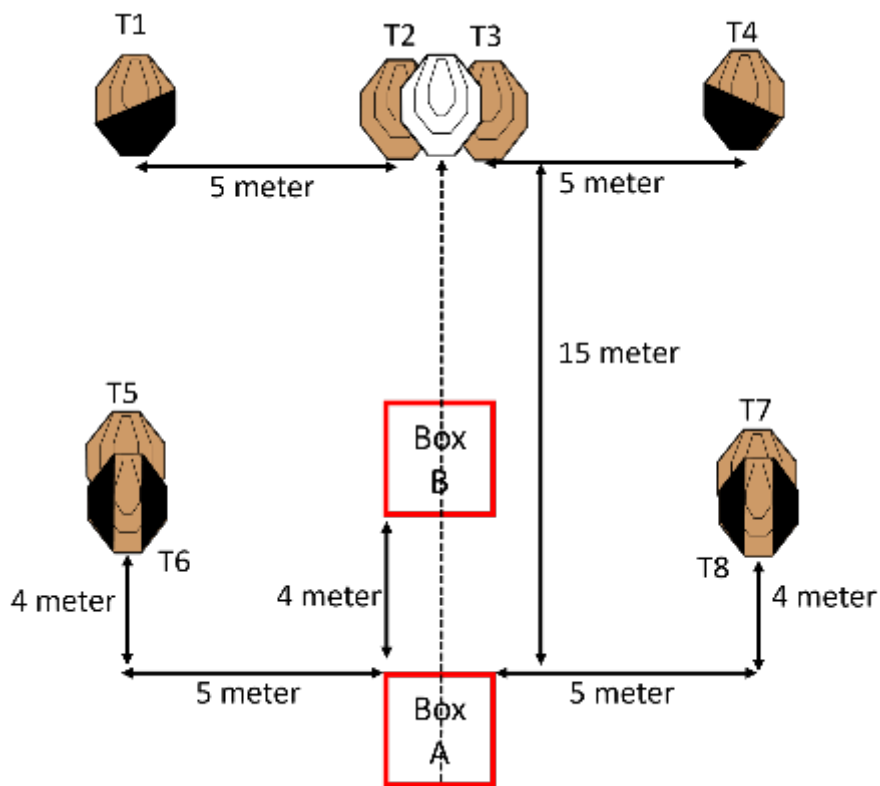
4. Luke 4



CoF	Comstock - Medium	Points	70 p
Targets	7 paper, Total 7 targets	Min rounds	14
Firearm	Mini Rifle	Match-%	4.79%

Procedure	Samme prosedyre som stage Luke3 men det er mandatory reload etter 7 skudd.
Starting position	anywhere
Firearm ready condition	Option 3
Start on	Audible signal
Stop on	Last shot
Penalties	As per current edition of rules
Safety angles	L/R
Setup notes	Vanlige ipsc skiver

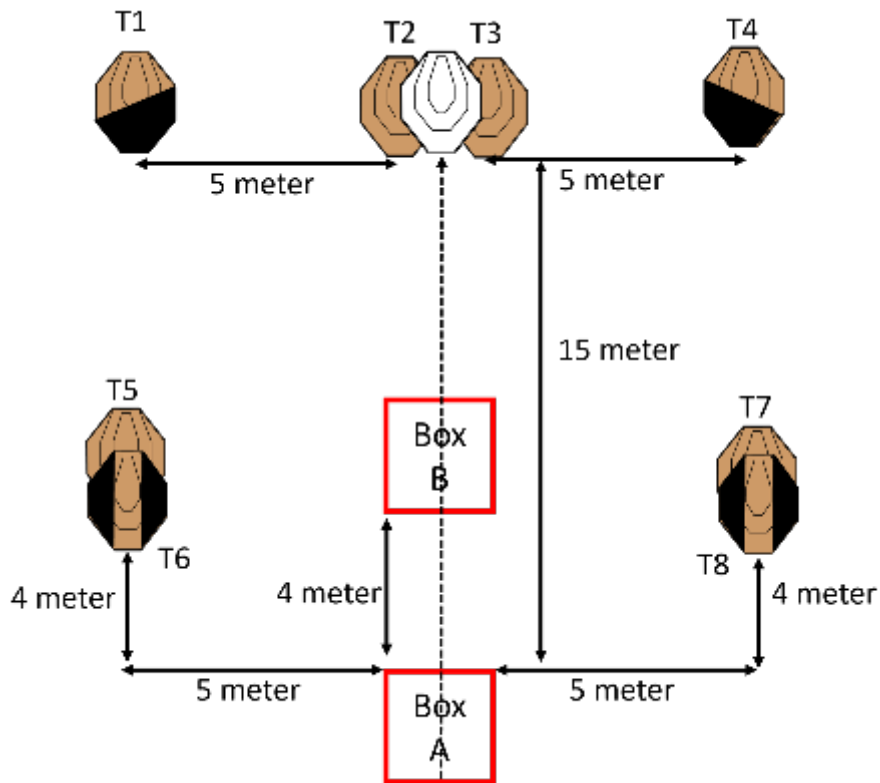
5. Luke 5



CoF	Comstock - Long	Points	120 p
Targets	12 paper, 1 no-shoot, Total 12 targets	Min rounds	24
Firearm	Mini Rifle	Match-%	8.22%

Procedure	Standing in Box A, Engage all targets with two rounds each, move to Box B and engage targets T1-T4 with two more rounds each.
Starting position	Box A
Firearm ready condition	Option1 - Loaded
Start on	Audible signal
Stop on	Last shot
Penalties	As per current edition of rules
Safety angles	L/R
Setup notes	Target T1 og T4 plasseres på bakkenivå. Resterende Targets plasseres med nedkant av skivene 1 meter over bakken. Mal eller tape targets T1, T4, T6 og T8 som vist på stagetegningen

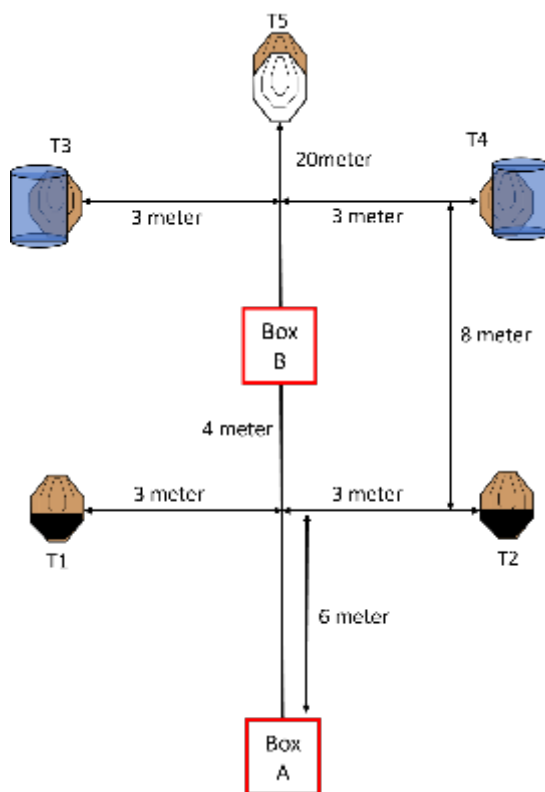
6. Luke 6



CoF	Comstock - Long	Points	120 p
Targets	12 paper, 1 no-shoot, Total 12 targets	Min rounds	24
Firearm	Mini Rifle	Match-%	8.22%

Procedure	Starting in Box B, Engage Targets T1 – T4 with two rounds each, move to Box A and engage all targets with two more rounds each.
Starting position	Box B
Firearm ready condition	Option 1 - Loaded
Start on	Audible signal
Stop on	Last shot
Penalties	As per current edition of rules
Safety angles	L/R
Setup notes	Target T1 og T4 plasseres på bakkenivå. Resterende Targets plasseres med nedkant av skivene 1 meter over bakken. Mal eller tape targets T1, T4, T6 og T8 som vist på stagetegningen

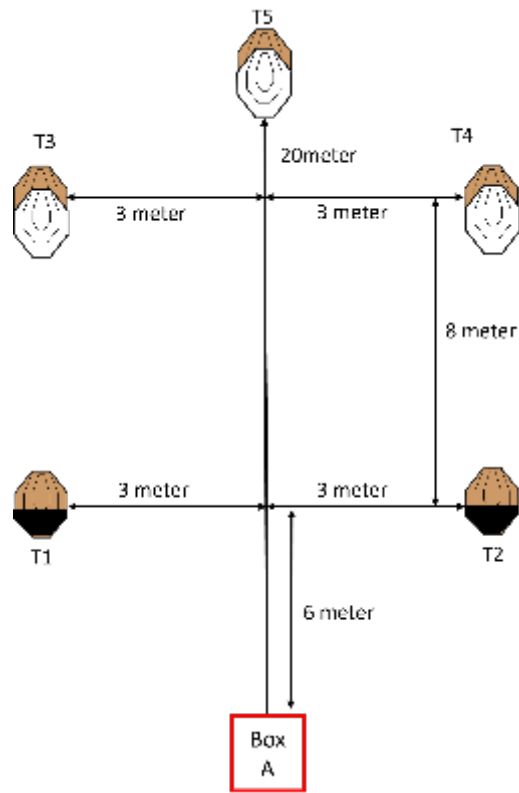
7. Luke 7



CoF	Comstock - Short	Points	50 p
Targets	5 paper, 1 no-shoot, Total 5 targets	Min rounds	10
Firearm	Mini Rifle	Match-%	3.42%

Procedure	Engage T1 and T2 from Box A. Move to Box B and engage T3 and T4
Starting position	Box A
Firearm ready condition	Option 1 - Loaded
Start on	Audible signal
Stop on	Last shot
Penalties	As per current edition of rules
Safety angles	L/R
Setup notes	Alle skiver settes 50 cm over bakkenivå. T3 og T 4 skjermes slik at de ikke synes fra Box A

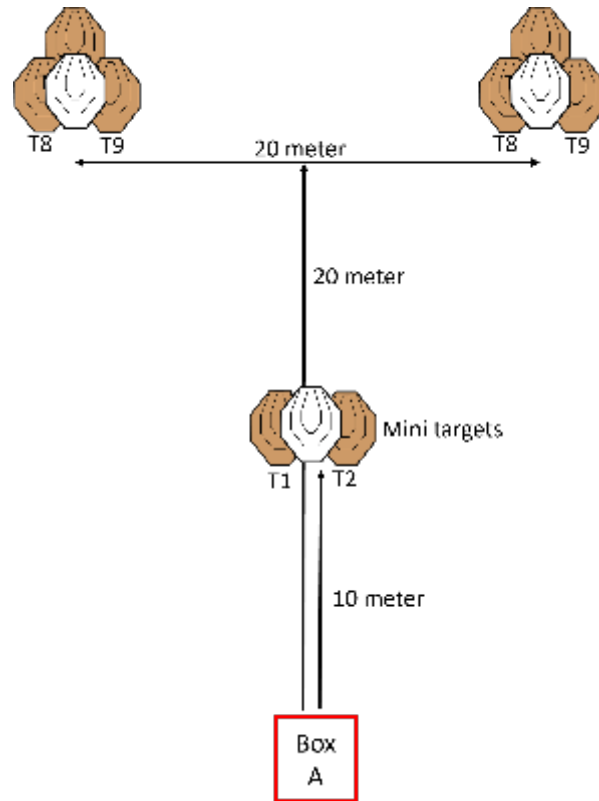
8. Luke 8



CoF	Comstock - Short	Points	50 p
Targets	5 paper, 3 no-shoot, Total 5 targets	Min rounds	10
Firearm	Mini Rifle	Match-%	3.42%

Procedure	Engage all targets from Box A
Starting position	Box A
Firearm ready condition	Option 1 - Loaded
Start on	Audible signal
Stop on	Last shot
Penalties	As per current edition of rules
Safety angles	L/R
Setup notes	Alle skiver settes 50 cm over bakkenivå.

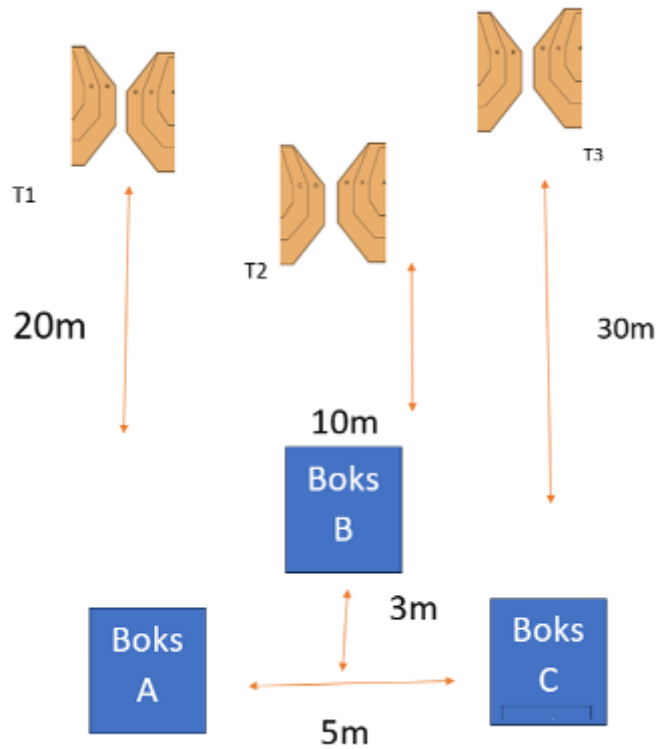
9. Luke 9



CoF	Comstock - Medium	Points	80 p
Targets	8 paper, 3 no-shoot, Total 8 targets	Min rounds	16
Firearm	Mini Rifle	Match-%	5.48%

Procedure	At start signal, engage all targets from Box A. Perform one mandatory mag change between first and last shot.
Starting position	Box A
Firearm ready condition	Option 1 - Loaded
Start on	Audible signal
Stop on	Last shot
Penalties	As per current edition of rules
Safety angles	L/R
Setup notes	Skivene plasseres med nedkant 1 meter over bakken. T1,T2 med no-shoot er mini targets.

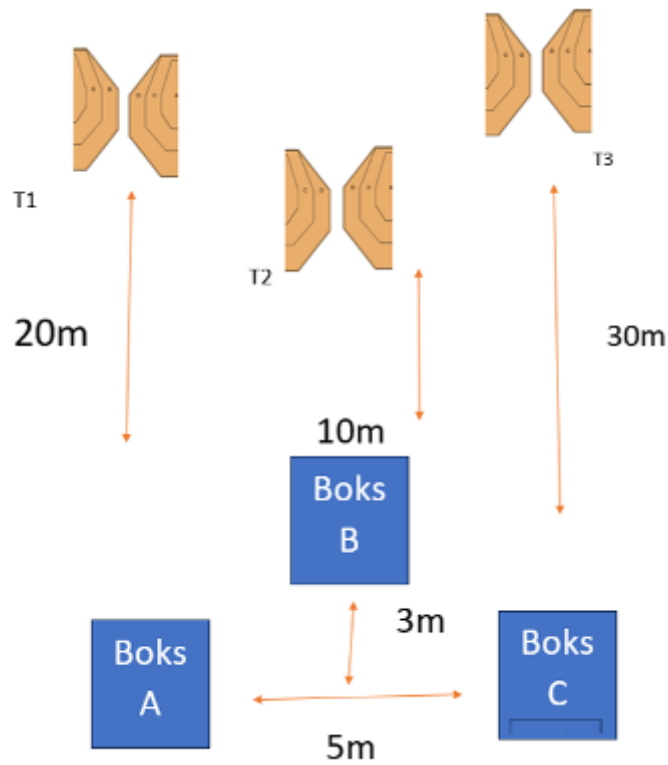
10. Luke10



CoF	Comstock - Medium	Points	60 p
Targets	6 paper, Total 6 targets	Min rounds	12
Firearm	Mini Rifle	Match-%	4.11%

Procedure	Engade T1 from bok A, T2 from Boks B and T3 from boks C
Starting position	Boks A
Firearm ready condition	Option 1
Start on	Audible signal
Stop on	Last shot
Penalties	As per current edition of rules
Safety angles	L/R
Setup notes	Boxes are 1x1M, Regular IPSC targets cut in half.

11. Luke 11



CoF	Comstock - Medium	Points	60 p
Targets	6 paper, Total 6 targets	Min rounds	12
Firearm	Mini Rifle	Match-%	4.11%

Procedure	Engade T1 from box A, T2 from Bok B and T3 from Box C
Starting position	Box C
Firearm ready condition	Option 1
Start on	Audible signal
Stop on	Last shot
Penalties	As per current edition of rules
Safety angles	L/R
Setup notes	

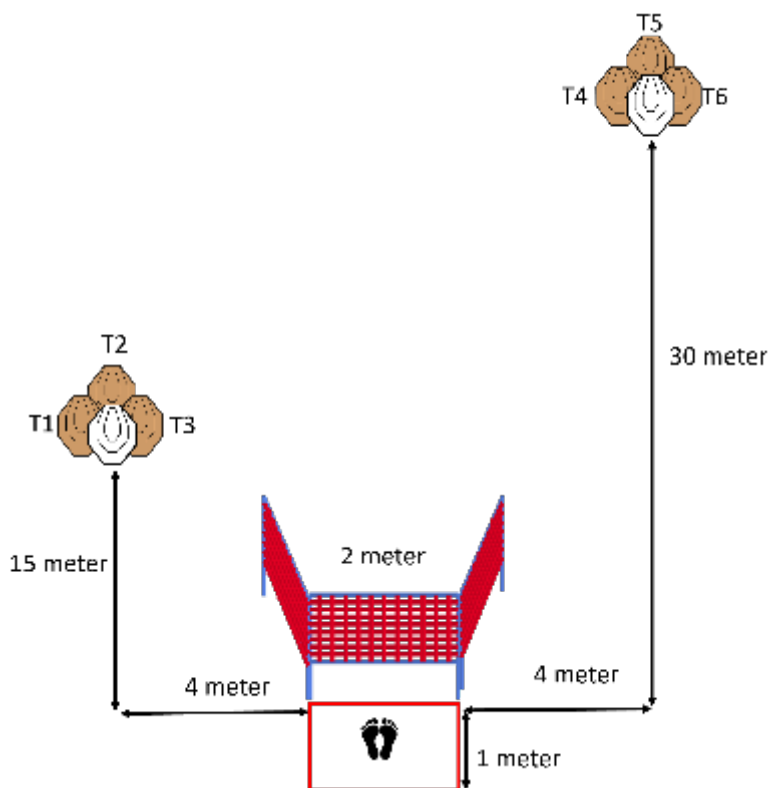
12. Luke12

No image

CoF	Comstock - Medium	Points	60 p
Targets	6 paper, Total 6 targets	Min rounds	12
Firearm	Mini Rifle	Match-%	4.11%

Procedure	Shoot T1 from box1, T2 from box B and T3 from box C
Starting position	Box B
Firearm ready condition	Option 1
Start on	Audible signal
Stop on	Last shot
Penalties	As per current edition of rules
Safety angles	L/R
Setup notes	Skjerte skiver vanlig størelse.

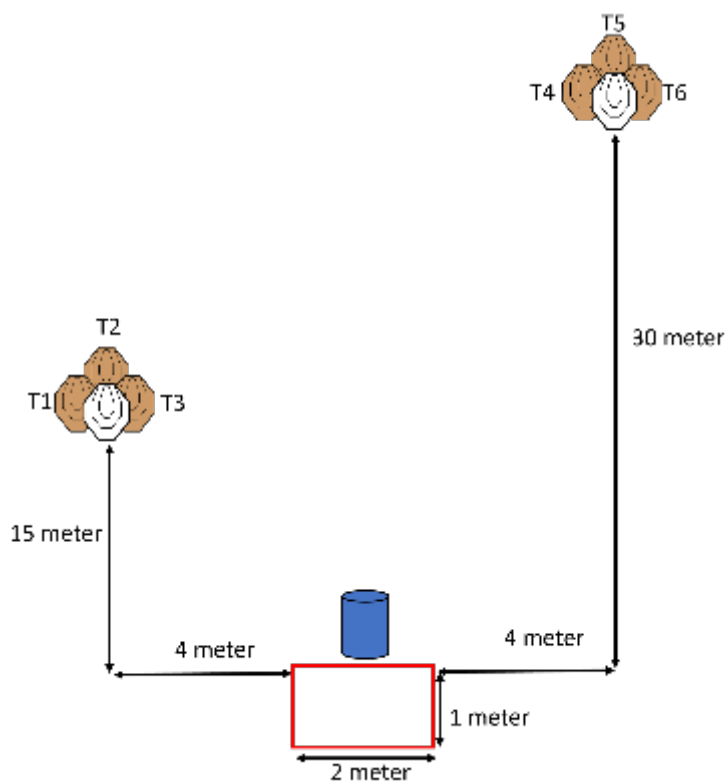
13. Luke 13



CoF	Comstock - Medium	Points	60 p
Targets	6 paper, 2 no-shoot, Total 6 targets	Min rounds	12
Firearm	Mini Rifle	Match-%	4.11%

Procedure	At start signal, engage all targets from within the designated area
Starting position	Heels touching mark
Firearm ready condition	Option 1 - loaded
Start on	Audible signal
Stop on	Last shot
Penalties	As per current edition of rules
Safety angles	L/R
Setup notes	Settes opp med miniskive en meter over bakken. Startmerket plasseres midt i boksen.

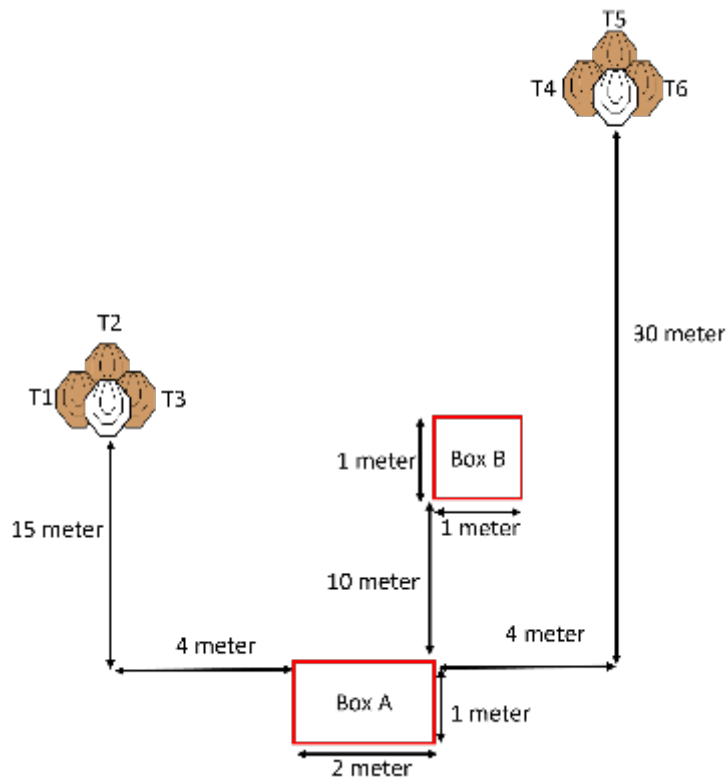
14. Luke 14



CoF	Comstock - Medium	Points	60 p
Targets	6 paper, 2 no-shoot, Total 6 targets	Min rounds	12
Firearm	Mini Rifle	Match-%	4.11%

Procedure	At start signal engage all targets from the demarcated area
Starting position	Standing erect with rifle on barrel, muzzle pointing down range
Firearm ready condition	option 3 - unloaded
Start on	Audible signal
Stop on	Last shot
Penalties	As per current edition of rules
Safety angles	L/R
Setup notes	IPSC mini targets 1 meter over bakken

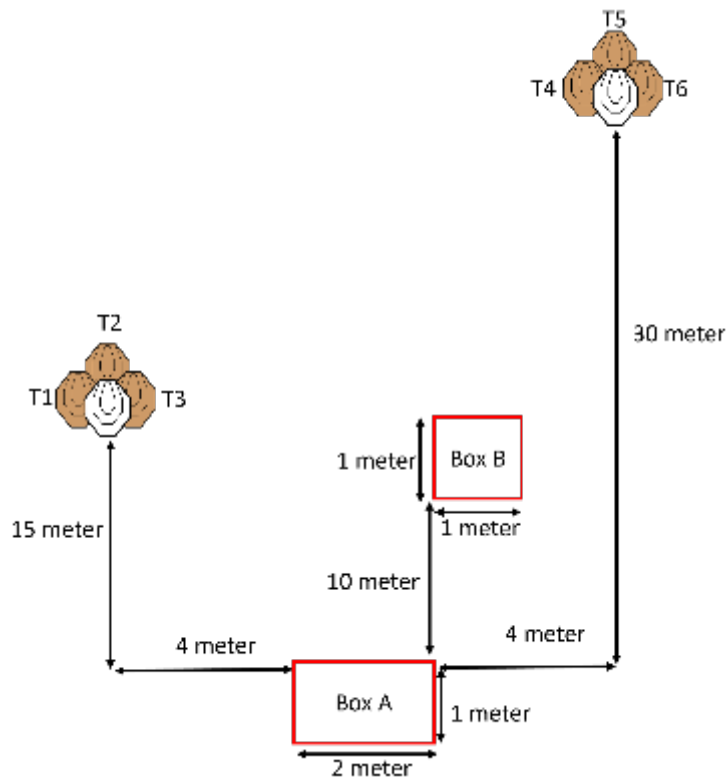
15. Luke 15



CoF	Comstock - Medium	Points	90 p
Targets	9 paper, 3 no-shoot, Total 9 targets	Min rounds	18
Firearm	Mini Rifle	Match-%	6.16%

Procedure	At start signal engage all targets from Box A. Move to box B and engage Target T4-T6 with an additional 2 rounds each.
Starting position	Box A
Firearm ready condition	Option 1 - Loaded
Start on	Audible signal
Stop on	Last shot
Penalties	As per current edition of rules
Safety angles	L/R
Setup notes	IPSC mini targets 1 meter over bakken

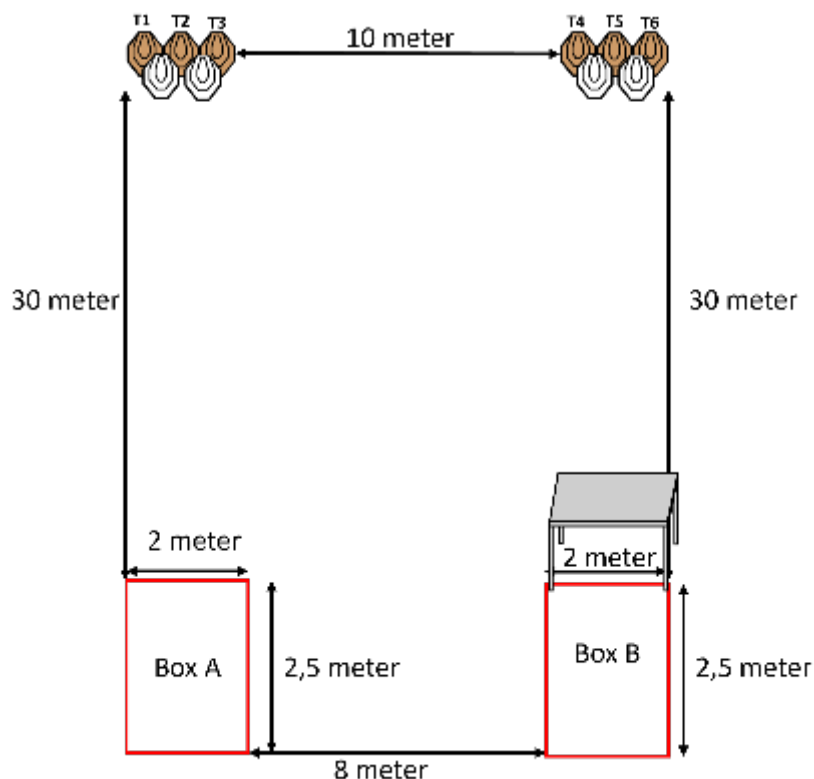
16. Luke 16



CoF	Comstock - Medium	Points	90 p
Targets	9 paper, 3 no-shoot, Total 9 targets	Min rounds	18
Firearm	Mini Rifle	Match-%	6.16%

Procedure	At start signal engage all targets T4 to T6 from Box B Move to Box A and engage all targets with two rounds each.
Starting position	Box B
Firearm ready condition	Option 1 - Loaded
Start on	Audible signal
Stop on	Last shot
Penalties	As per current edition of rules
Safety angles	L/R
Setup notes	Ipsc Miniskiver, plasserer 1 meter over bakken.

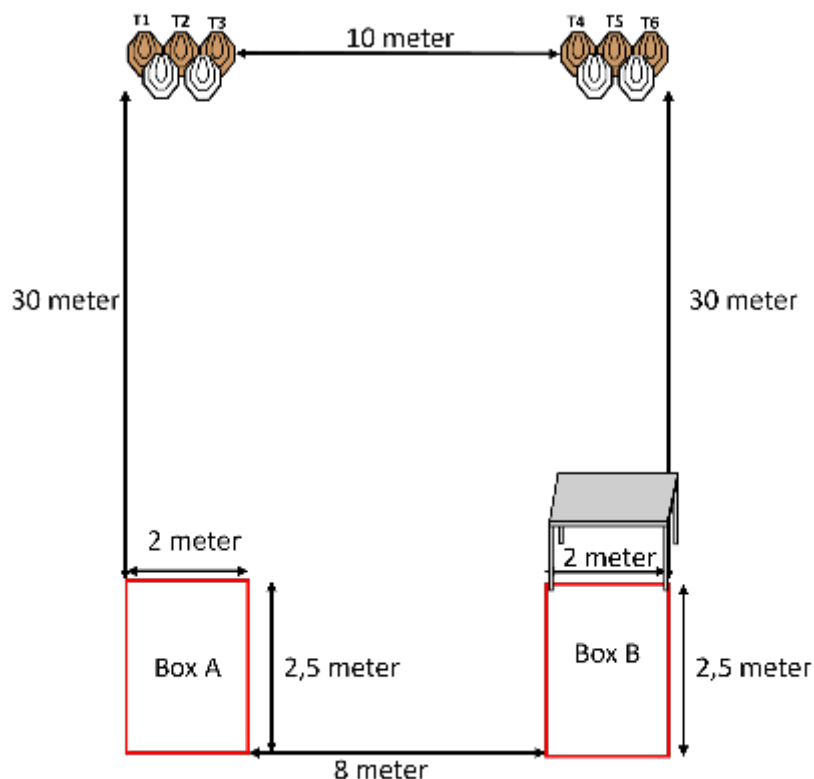
17. Luke 17



CoF	Comstock - Medium	Points	60 p
Targets	6 paper, 4 no-shoot, Total 6 targets	Min rounds	12
Firearm	Mini Rifle	Match-%	4.11%

Procedure	At start signal engage T1-T3 from a prone position in Box A. Move to Box B and engage T4-T6 from a kneeling position.
Starting position	Standing relaxed in Box A
Firearm ready condition	Option 1 - Loaded
Start on	Audible signal
Stop on	Last shot
Penalties	As per current edition of rules
Safety angles	L/R
Setup notes	Vanlige IPSC skiver en meter over bakken. Ved Box B settes et bord eller liknende som kan brukes som knestående støtte.

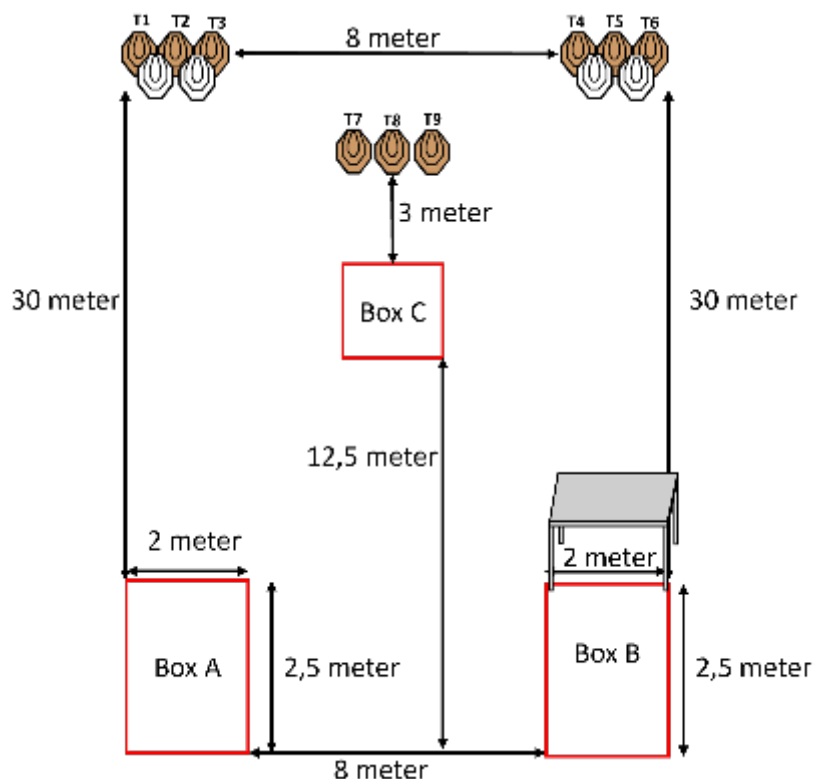
18. Luke 18



CoF	Comstock - Medium	Points	60 p
Targets	6 paper, 4 no-shoot, Total 6 targets	Min rounds	12
Firearm	Mini Rifle	Match-%	4.11%

Procedure	At start signal, engage T4 - T6 from a kneeling position in Box B. Move to Box A and engage T1 - T6 from a prone position.
Starting position	Standing relaxed in Box B
Firearm ready condition	Option 1 - Loaded
Start on	Audible signal
Stop on	Last shot
Penalties	As per current edition of rules
Safety angles	L/R
Setup notes	Vanlige IPSC skiver en meter over bakken. Ved Box B settes et bord eller liknende som kan brukes som knestående støtte.

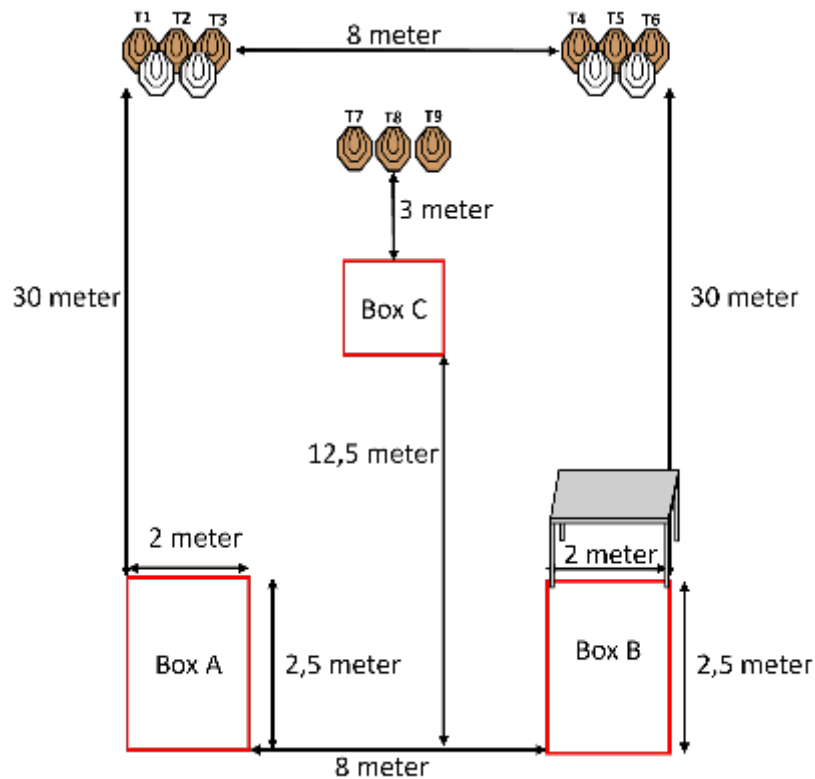
19. Luke 19



CoF	Comstock - Medium	Points	90 p
Targets	9 paper, 4 no-shoot, Total 9 targets	Min rounds	18
Firearm	Mini Rifle	Match-%	6.16%

Procedure	At start signal engage T1-T3 from Box A, T4-T6 from Box B and T7-T9 from Box C.
Starting position	Standing relaxed in Box C
Firearm ready condition	Option 1 - Loaded
Start on	Audible signal
Stop on	Last shot
Penalties	As per current edition of rules
Safety angles	L/R
Setup notes	Vanlige IPSC skiver en meter over bakken for T1-T6. T7 til T9 skal være Mini IPSC skiver en meter over bakken. Ved Box B settes et bord eller liknende som kan brukes som knestående støtte.

20. Luke 20



CoF	Comstock - Medium	Points	90 p
Targets	9 paper, 4 no-shoot, Total 9 targets	Min rounds	18
Firearm	Mini Rifle	Match-%	6.16%

Procedure	At start signal engage T1-T3 from Box A, T4-T6 from Box B and T7-T9 from Box C.
Starting position	Either Box A, Box B or Box C
Firearm ready condition	Option 1 - Loaded
Start on	Audible signal
Stop on	Last shot
Penalties	As per current edition of rules
Safety angles	L/R
Setup notes	Vanlige IPSC skiver en meter over bakken for T1-T6. T7 til T9 skal være Mini IPSC skiver en meter over bakken. Ved Box B settes et bord eller liknende som kan brukes som knestående støtte.